



Horizon Range Data Sheet

2, 4 & 8 Zone Conventional Fire Alarm Control Panels

Features

- Simple, user friendly design
- Simple to install
- Intuitive to use
- 2, 4 or 8 Zones
- Walk test
- Enhanced feature set
- Multilingual text inserts
- Designed to comply with EN54 part 2 and part 4.

The Horizon series of conventional control panels has been developed to provide a simple and reliable solution to the demands of today's fire detection solutions.

The Horizon range has been designed with both installer and end users requirements in mind.

For installers, Horizon offers an out of the box and on the wall solution. A combination of quick installation, an enhanced feature set and advanced programming allows installers to quickly and simply meet the demands of the user. Equipped with configurable class change inputs, coincidence detection, programmable delays to allow alarm verification and the facility to interface to larger house alarm systems.

For end users, clear visible indications, easy to operate functions and a big red key to activate the control buttons, make for simple and unambiguous operation.

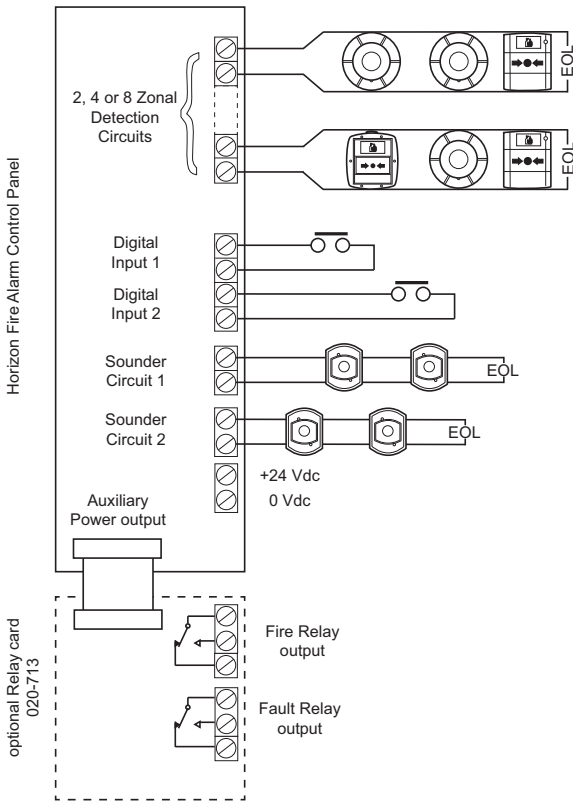
Engineered and built to the same high standard as all Morley-IAS control panels, the Horizon system forms an essential part of any fire alarm solution.

The Horizon series of conventional control panels has been designed for use in small to medium commercial environments. It is specially suitable for Garages, Retail Units, Shops, Restaurants, Doctor's Surgeries, Public Offices and Nursery Schools.



Mechanical

Dimensions	318 x 356 x 96 mm (h x w x d)
Weight	2 Kg (approx, no batteries fitted)
Construction	Fire retardant, ABS plastic moulded enclosure, sealed to IP30
Cable Entry	18 x 20mm knockouts in top of enclosure 25 x 50 mm knockout in rear of enclosure
Operating Temperature	+5°C to +45°C
Relative Humidity	5% to 95% non condensing



Other Supporting Products Include

- Morley-IAS Voice Alarm and Public Address Equipment
- Morley-IAS ZXSe and DXc range of networkable analogue addressable Fire Alarm Panels
- Morley-IAS EVCS
- Morley-IAS Air Sampling Devices

For further details on these or any other Morley-IAS products please contact your local distributor, Morley-IAS Business Manager or via our contact details found below. Morley-IAS by Honeywell - Providing a control panel solution, for fire industry professionals, committed to supporting our device partners.



Every care has been taken in the preparation of this datasheet but no liability can be accepted for the use of the information therein. Design features may be changed or amended without prior notice.
© Morley-IAS by Honeywell 2011

Electrical

Operating Voltage	230 Vac 50/60 Hz (±15%)
Internal Power Supply:	Output voltage +18.5 to +28.5 Vdc Output Current 1.8 Amps maximum Maximum Alarm load: 1 Amp
Standby Batteries	Minimum capacity 2 x 12 V 2.8Ah Maximum capacity 2 x 12 V 7 Ah
Standby Battery Type	Sealed lead acid
Detection Circuits	2, 4 or 8 detection circuits 2 mA per circuit (typically >20 detectors)
Approved Detectors	Apollo Series 60, Series 65 & Orbis. Morley-IAS Horizon HRZ Series System Sensor ECO1000 & Series 300
Digital Inputs	22 configurable inputs (Class Change, Alert, Evacuate, Reset)
Digital Input Trigger	Extended closing contact
External Outputs	Sounder Outputs: 2 monitored outputs 0.5 Amps per circuit Auxiliary Output: +18.5 to +28.5 Vdc, 0.5 Amp. (max)

Part Numbers

002-492-222	Horizon HRZ2e 2 zone fire alarm control panel. C/W fire & fault relay (020-713)
002-506-222	Horizon HRZ2e 2 zone fire alarm control panel
002-492-242	Horizon HRZ4e 4 zone fire alarm control panel. C/W fire & fault relay (020-713)
002-506-242	Horizon HRZ4e 4 zone fire alarm control panel
002-492-282	Horizon HRZ8e 8 zone fire alarm control panel. C/W fire & fault relay (020-713)
002-506-282	Horizon HRZ8e 8 zone fire alarm control panel
020-713	Horizon relay kit. (Fire & Fault relays) suitable for use with 002-506-222/242/282
020-747	8 way input/output card



by Honeywell

Charles Avenue
Burgess Hill
West Sussex
RH15 9UF UK

T: +44 (0) 1444 235 556
F: +44 (0) 1273 376 894
E: sales@morleyias.co.uk
www.morley-ias.co.uk

DOC REF: M500-HRZ(1211)